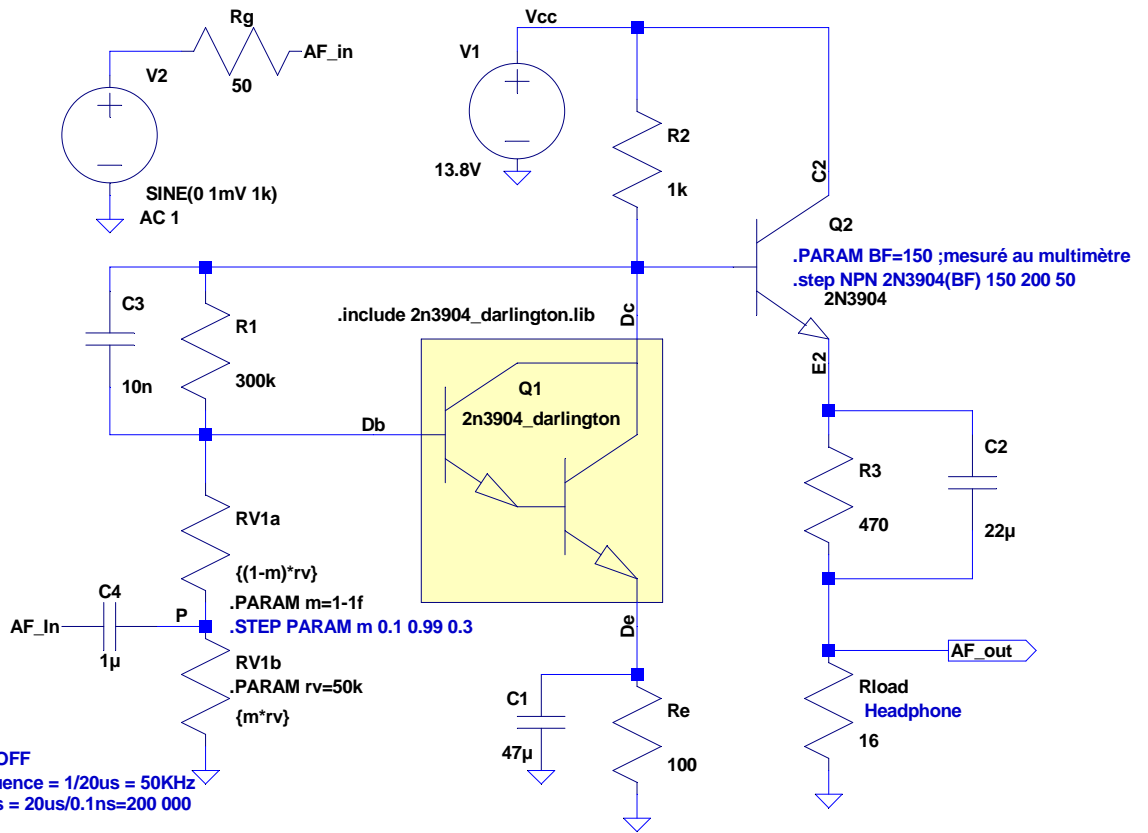


TRANSCIEVER CW F8EOZ - Audio Amplifier - V 06/12/2012 14:40

--- Operating Point ---

V(c2):	13.8	voltage
V(dc):	10.3379	voltage
V(e2):	9.6021	voltage
V(p):	1.55606	voltage
V(db):	1.55606	voltage
V(de):	0.336637	voltage
V(n001):	0	voltage
V(af_in):	7.78031e-017	voltage
V(af_out):	0.316118	voltage
Ic(Q2):	0.0196909	device_current
Ib(Q2):	6.64591e-005	device_current
Ie(Q2):	-0.0197574	device_current
I(C3):	8.78186e-020	device_current
I(C2):	2.04292e-016	device_current
I(C4):	1.55606e-018	device_current
I(C1):	1.5822e-017	device_current
I(Rg):	-1.55606e-018	device_current
I(Rload):	0.0197574	device_current
I(R2):	0.00346207	device_current
I(R3):	0.0197574	device_current
I(R1):	2.92729e-005	device_current
I(Re):	0.00336637	device_current
I(Rv1a):	2.66667e-005	device_current
I(Rv1b):	3.11212e-005	device_current
I(V2):	1.55606e-018	device_current
I(V1):	-0.023153	device_current
Ix(q1:C):	0.00336634	subckt_current
Ix(q1:B):	3.14944e-008	subckt_current
Ix(q1:E):	-0.00336637	subckt_current



```

;noise V(AF_out) V2 dec 10001 10 12Meg
.net I(RLoad) V2
.options plotwinsize=0
.tran 0 10000us 0 50.0ns
;ac dec 10001 10 10Meg
;op

```

Data compression OFF
 Résolution de fréquence = 1/20us = 50KHz
 Nombre d'exemples = 20us/0.1ns=200 000